



CUSTOMER CONVENIENCE

SERVING THE FOOD INDUSTRY SINCE 1951

BABY CHANGING STATION STAINLESS STEEL COVER HIGH-DENSITY POLYETHYLENE Item: 44558

PRODUCT FEATURES

Horizontal Stainless steel clad. Surface mounted

Gas spring mechanism ensures smooth open and close.

Safety belt with cam-buckle is adjustable with one hand.

Hygienic and easy to clean with HDPE to inhibit bacteria growth.

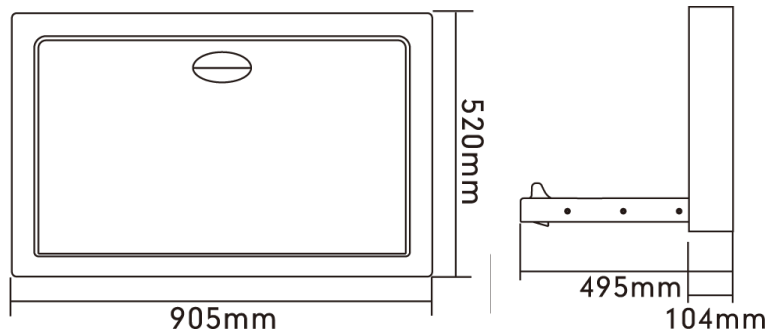
Comply with the EN 12221 standards and units tested in our own laboratories have withstood loads over 50 kgs.

Stainless steel horizontal baby changing table that fits onto a wall and protrudes only ever so slightly from the wall, keeping valuable space within the washroom for users to work and change their child in comfort.

Complies to global safety standards and the safety belt is adjustable for fitting around the exact shape of the child or infant being changed.

TECHNICAL SPECIFICATION

ITEM	44558
CAPACITY	44 lbs / 20 kg
MATERIAL	Stainless Steel 304 Cover High-density polyethylene
DIMENSIONS (OPEN)	905 x 495 x 520 mm 35.6" x 19.5" x 20.5"
DIMENSIONS (CLOSE)	905 x 495 x 104 mm 35.6" x 19.5" x 4.1"
UNIT NET WEIGHT	50.7 lbs / 23 Kgs
RECOMMENDED INSTALLATION	800 mm / 31.5 in at lowest point
STYLE	Horizontal



OMCAN INC.

Telephone: 1-800-465-0234
Fax: (905) 607-0234
Email: sales@omcan.com
Website: www.omcan.com



Follow us to keep up to date with the latest news and offers

